

SKB369 Multiprotocol Bluetooth 4.2 /5.0 Low Energy Module Datasheet

Document Information	
Title	SKB369 Multiprotocol Bluetooth 4.2/5.0 Low Energy Module Datasheet
Document type	Datasheet
Document number	SL-18060064
Revision and date	V1.12 08-Jan-2020
Disclosure restriction	Public

Revision History

Revision	Description	Approved	Date
V1.01	Initial Release	Hogan	20170103
V1.02	Revise The Product Picture	Hogan	20170414
V1.03	Revise Operating Temperature	Hogan	20170421
V1.04	Add Ordering Information Revise The Product Picture	Abner	20170801
V1.05	Revise PIN 23 function	George	20170821
V1.06	Update certification information	George	20170831
V1.07	Update certification information	George	20171023
V1.08	Update certification information	George	20180707
V1.09	Revise pin description name and description	George	20180718
V1.10	Revision PCB Footprint and Dimensions	George	20180907
V1.11	Add BLE 5.0 support	Kerry	20180911
V1.12	Update Transmit Power	George	20200108

Contents

1. General Description.....	4
2. Applications.....	5
3. Features.....	5
4. Application Block Diagram.....	6
5. Interfaces.....	7
Power Supply.....	7
System Function Interfaces.....	7
6. Module Specifications.....	11
7. Module Pinout and Pin Description.....	12
Module Pinout.....	12
Pin Description.....	13
8. PCB Design Guide.....	14
9. PCB Footprint and Dimensions.....	14
10. Electrical Characteristics.....	15
Absolute Maximum Ratings.....	15
Recommended Operation Ratings.....	15
Current.....	15
11. Manufacturing Process Recommendations.....	16
12. Packaging Specification.....	17
13. Ordering Information.....	17
14. Contact Information.....	18

1. General Description

The SKB369 is a highly integrated Bluetooth 4.2/5.0 BLE module, designed for high data rate, short-range wireless communication in the 2.4GHz ISM band. Also, SKB369 support ANT Protocol. The module is based on Nordic nRF52832 radio Transceiver IC, has a 32 bit ARM Cortex-M4F CPU, Flash memory and analog and digital peripherals. The SKB369 provides a low power and ultra-low cost BLE solution for wireless transmission applications. The SKB369 also has a NFC-A tag interface for OOB pairing.



Figure 1: SKB369 With Shielding Top View

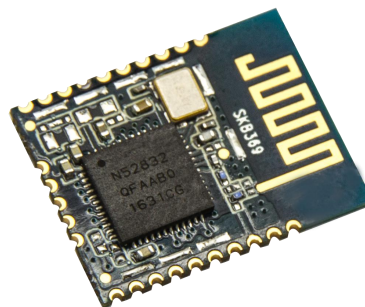


Figure 2: SKB369 Without Shielding Top View

2. Applications

- ◆ Computer peripherals and I/O devices
 - Mouse
 - Keyboard
 - Multi-touch trackpad
- ◆ Interactive entertainment devices
 - Remote control
 - 3D Glasses
 - Gaming controller
- ◆ Personal Area Networks
 - Health/fitness sensor and monitor devices
 - Medical devices
 - Key-fobs + wrist watches
- ◆ Remote control toys
- ◆ Beacons
- ◆ Bluetooth Gateway
- ◆ Indoor Location
- ◆ Colourful LED Control
- ◆ Building automation
- ◆ Sensor networks.
- ◆ Asset tracking.

3. Features

- ◆ Main Chip: nRF52832
- ◆ Bluetooth® 4.2/5.0 low energy single-mode

protocol stack

- L2CAP, ATT, GAP, GATT and SM protocols
- Central and Peripheral roles
- GATT Client and Server
- Full SMP support including MITM and OOB pairing

- ◆ Support ANT Protocol
- ◆ Support Bluetooth Mesh.
- ◆ Support BLE5.0. (Don't support long range.)

- ◆ Supported data rates : 1 Mbps, 2 Mbps Bluetooth® low energy mode
- ◆ Support NFC-A
- ◆ 8/10/12 bit ADC-6configurable channels
- ◆ 19 General Purpose I/O pins
- ◆ SPI Master/Slave
- ◆ Two-wire Master (I2C compatible)
- ◆ UART (CTS/RTS)
- ◆ CPU independent Programmable Peripheral Interconnect (PPI)
- ◆ Quadrature Decoder (QDEC)
- ◆ AES HW encryption
- ◆ RoHS compliance (Lead-free)
- ◆ CE, FCC, BQB certificated

4. Application Block Diagram

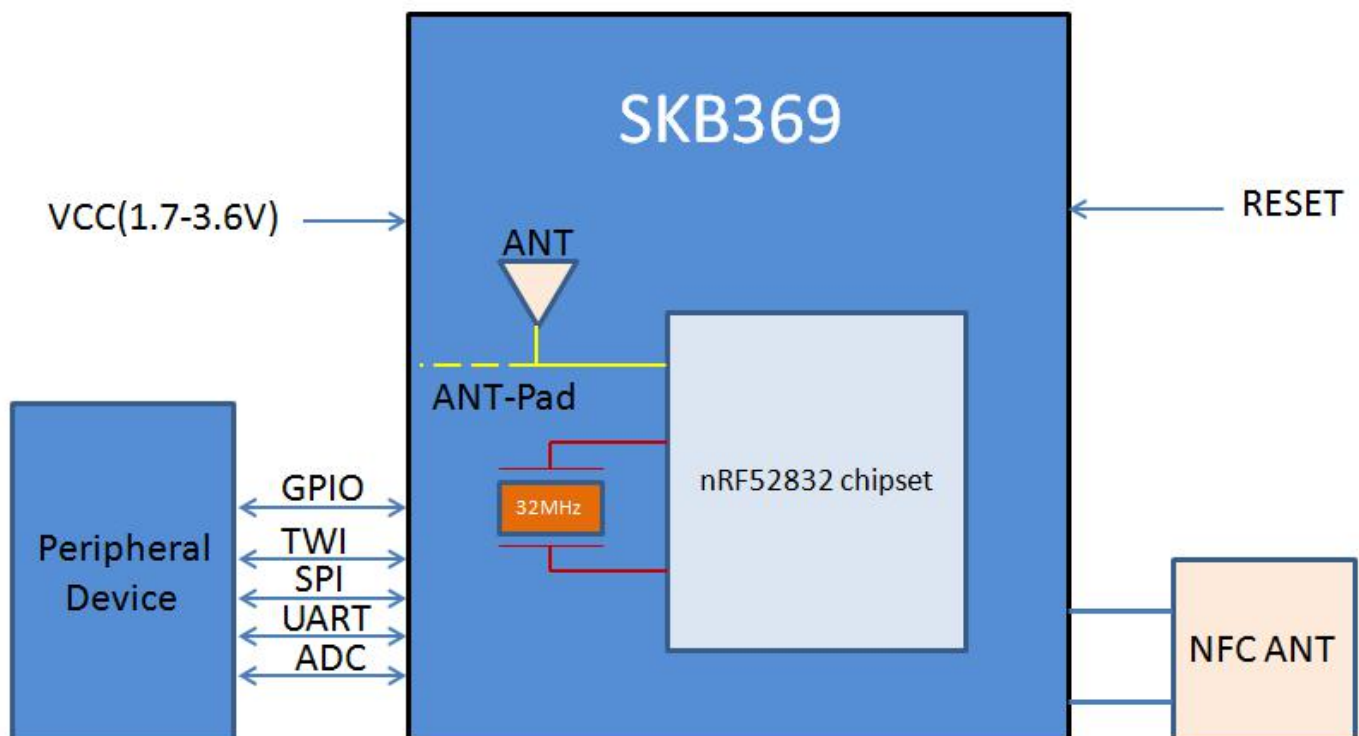


Figure 3: SKB369 Block Diagram

5. Interfaces

Power Supply

Regulated power for the SKB369 is required. The input voltage V_{cc} range should be 1.7V to 3.6V. Suitable decoupling must be provided by external decoupling circuitry (10uF and 0.1uF). It can reduce the noise from power supply and increase power stability.

System Function Interfaces

GPIOs

The general purpose I/O is organized as one port with up to 19 I/Os enabling access and control of up to 19 pins through one port. Each GPIO can be accessed individually with the following user configurable features:

- 1、 Input/output direction
- 2、 Output drive strength
- 3、 Internal pull-up and pull-down resistors
- 4、 Wake-up from high or low level triggers on all pins
- 5、 Trigger interrupt on all pins
- 6、 All pins can be used by the PPI task/event system; the maximum number of pins that can be interfaced through the PPI at the same time is limited by the number of GPIOTE channels
- 7、 All pins can be individually configured to carry serial interface or quadrature demodulator signals
- 8、 All pins can be configured as PWM signal.
- 9、 There are 6 ADC/LPCOMP input in the 19 I/Os.

Two-wire Interface (I2C Compatible)

The two-wire interface can communicate with a bi-directional wired-AND bus with two lines (SCL, SDA). The protocol makes it possible to interconnect up to 127 individually addressable devices. The interface is capable of

clock stretching, supporting data rates of 100 kbps ,250kbps and 400 kbps. The module has 2 TWI ports and they properties like following table.

Instance	Master/Slave
TWI0	Master
TWI1	Master

Table5-1: TWI Pin Share Scheme

Note: I2C:Inter – Integrated Circuit

Flash Program I/Os

The module has two programmer pins, respectively SWDCLK pin and SWDIO pin. The two pin Serial Wire Debug (SWD) interface provided as a part of the Debug Access Port (DAP) offers a flexible and powerful mechanism for non-intrusive debugging of program code. Breakpoints and single stepping are part of this support.

Serial Peripheral Interface

The SPI interfaces enable full duplex synchronous communication between devices. They support a three-wire (SCK, MISO, MOSI) bi-directional bus with fast data transfers. The SPI Master can communicate with multiple slaves using individual chip select signals for each of the slave devices attached to a bus. Control of chip select signals is left to the application through use of GPIO signals. SPI Master has double buffered I/O data. The SPI Slave includes EasyDMA for data transfer directly to and from RAM allowing Slave data transfers to occur while the CPU is IDLE. The GPIOs are used for each SPI interface line can be chosen from any GPIOs on the device and configed independently. This enables great flexibility in device pinout and efficient use of printed circuit board space and signal routing.

The SPI peripheral support SPI mode 0,1,2,and 3.The module have 3 SPI ports and theirs they properties are as below:

Instance	Master/Slave
SPI0	Master
SPI1	Master
SPIS1	Slave

Table5-2: SPI Properties

UARTs

The Universal Asynchronous Receiver/Transmitter offers fast, full-duplex, asynchronous serial communication with built-in flow control (CTS, RTS), support in hardware up to 1 Mbps baud. Parity checking is supported.

Support the following baudrate in bps unit:

1200/2400/4800/9600/14400/19200/28800/38400/57600/76800/115200.

Note: The GPIOs are used for each SPI/TWI/UART interface line can be chosen from any GPIOs on the device and configed independently.

Analog to Digital Converter (ADC)

The 12 bit incremental Analog to Digital Converter (ADC) enables sampling of up to 8 external signals through a front-end multiplexer. The ADC has configurable input and reference prescaling, and sample resolution (8,10, and 12 bit).

Note: The ADC module uses the same analog inputs as the LPCOMP module. Only one of the modules can be enabled at the same time.

SKB369 Pin Number	Pin Number	Description
6	P0.28	Digital I/O; Analog input 4
7	P0.29	Digital I/O; Analog input 5
8	P0.30	Digital I/O; Analog input 6
9	P0.31	Digital I/O; Analog input 7
11	P0.02	Digital I/O; Analog input 2
12	P0.03	Digital I/O; Analog input 3

Table5-3: ADC Pins

Low Power Comparator (LPCOMP)

In System ON, the block can generate separate events on rising and falling edges of a signal, or sample the current state of the pin as being above or below the threshold. The block can be configured to use any of the analog inputs on the device. Additionally, the low power comparator can be used as an analog wakeup source from System OFF or System ON. The comparator threshold can be programmed to a range of fractions of the supply voltage.

Reset

The reset pin of the SKB369 module is in the internal pull-high state , when the reset pin of the module is input to a low level , the module will be automatically reset .After the reset pin is used , the parameters of the current setting will not be ANT .

NFC

The NFC peripheral (referred to as the 'NFC peripheral' from now on) supports communication signal interface type A and 106 kbps bit rate from the NFC Forum.

With appropriate software, the NFC peripheral can be used to emulate the listening device NFC-A as specified by the NFC Forum.

Listed here are the main features for the NFC peripheral:

- NFC-A listen mode operation
- 13.56 MHz input frequency
- Bit rate 106 kbps
- Wake-on-field low power field detection (SENSE) mode
- Frame assemble and disassemble for the NFC-A frames specified by the NFC Forum
- Programmable frame timing controller
- Integrated automatic collision resolution, CRC and parity functions

SKB369 Pin Number	Pin Number	Description
16	P0.09	Digital I/O; NFC1
17	P0.10	Digital I/O; NFC2

Table5-4: ADC Pins

6. Module Specifications

Hardware Features	
Model	SKB369
ANTenna Type	PCB ANTenna
Chipset Solution	nRF52832
Voltage	1.7V~3.6V
Dimension(L×W×H)	17.4×13.7×1.9 mm
Wireless Features	
Wireless Standards	Bluetooth ® 4.2/5.0,ANT
Frequency Range	2400MHz---2483.5MHz
Data Rates	1Mbps(Bluetooth ® 4.2); 2Mbps(Bluetooth ® 5.0)
Wireless Security	AES HW Encryption
Transmit Power	Tx Power-40dBm, -20dBm, -16dBm, -12dBm, -8dBm, -4dBm, 0dBm, +3dBm and +4dBm.
Work Mode	Central/Peripheral
Others	
Certification	RoHS
Environment	Operating Temperature: -40℃~85℃
	Storage Temperature: -40℃~125℃
	Operating Humidity: 10%~90% Non-condensing
	Storage Humidity: 5%~90% Non-condensing

7. Module Pinout and Pin Description

Module Pinout

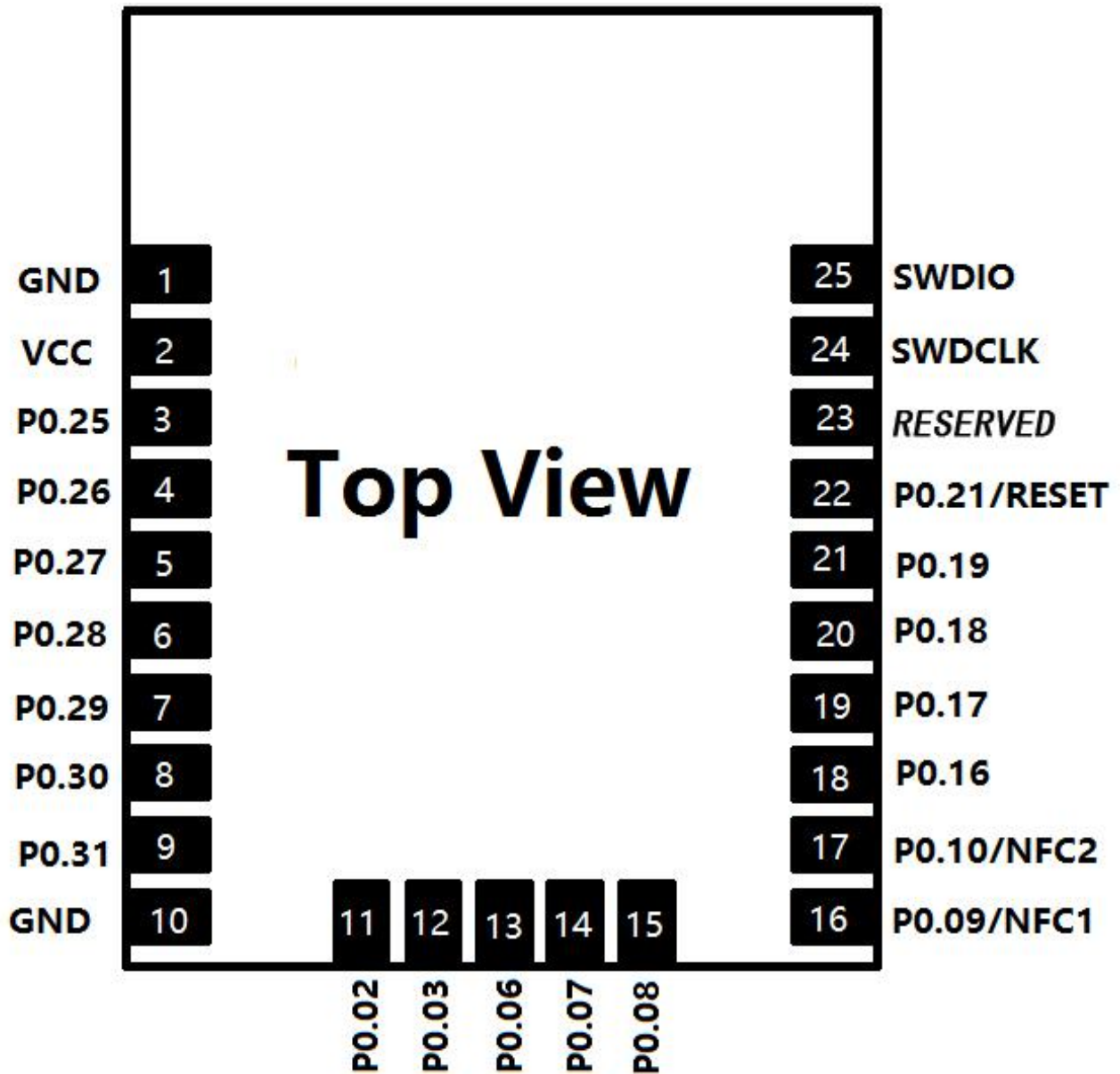


Figure 4: SKB369 Module Pinout

Pin Description

Pin No.	Pin Name	Description	Remark
1	GND	Ground	
2	VCC	Main Power Supply	1.7V to 3.6V
3	P0.25	General Purpose I/O	Digital I/O
4	P0.26	General Purpose I/O	Digital I/O
5	P0.27	General Purpose I/O	Digital I/O
6	P0.28	Digital I/O; Analog input	ADC/LPCOMP input 4
7	P0.29	Digital I/O; Analog input	ADC/LPCOMP input 5
8	P0.30	Digital I/O; Analog input	ADC/LPCOMP input 6
9	P0.31	Digital I/O; Analog input	ADC/LPCOMP input 7
10	GND	Ground	
11	P0.02	Digital I/O; Analog input	ADC/LPCOMP input 0
12	P0.03	Digital I/O; Analog input	ADC/LPCOMP input 1
13	P0.06	General Purpose I/O	Digital I/O
14	P0.07	General Purpose I/O	Digital I/O
15	P0.08	General Purpose I/O	Digital I/O
16	P0.09/NFC1	Digital I/O;NFC1	Digital I/O;NFC1
17	P0.10/NFC2	Digital I/O;NFC2	Digital I/O;NFC2
18	P0.16	General Purpose I/O	Digital I/O
19	P0.17	General Purpose I/O	Digital I/O
20	P0.18	General Purpose I/O	Digital I/O
21	P0.19	General Purpose I/O	Digital I/O
22	P0.21/RESET	Digital I/O; System Reset (Active low)	Digital I/O; Reset
23	NC	Not Connect	
24	SWDCLK	Hardware debug and Flash program I/O	Digital input
25	SWDIO	Hardware Debug and Flash Program I/O	Digital I/O

8. PCB Design Guide

Please reserve empty area for PCB Antenna when you are going to design a device's board, the empty range minimum size :

16.5*6.6mm , please kindly check the "PCB footprint and Dimensions" for reference.

9. PCB Footprint and Dimensions

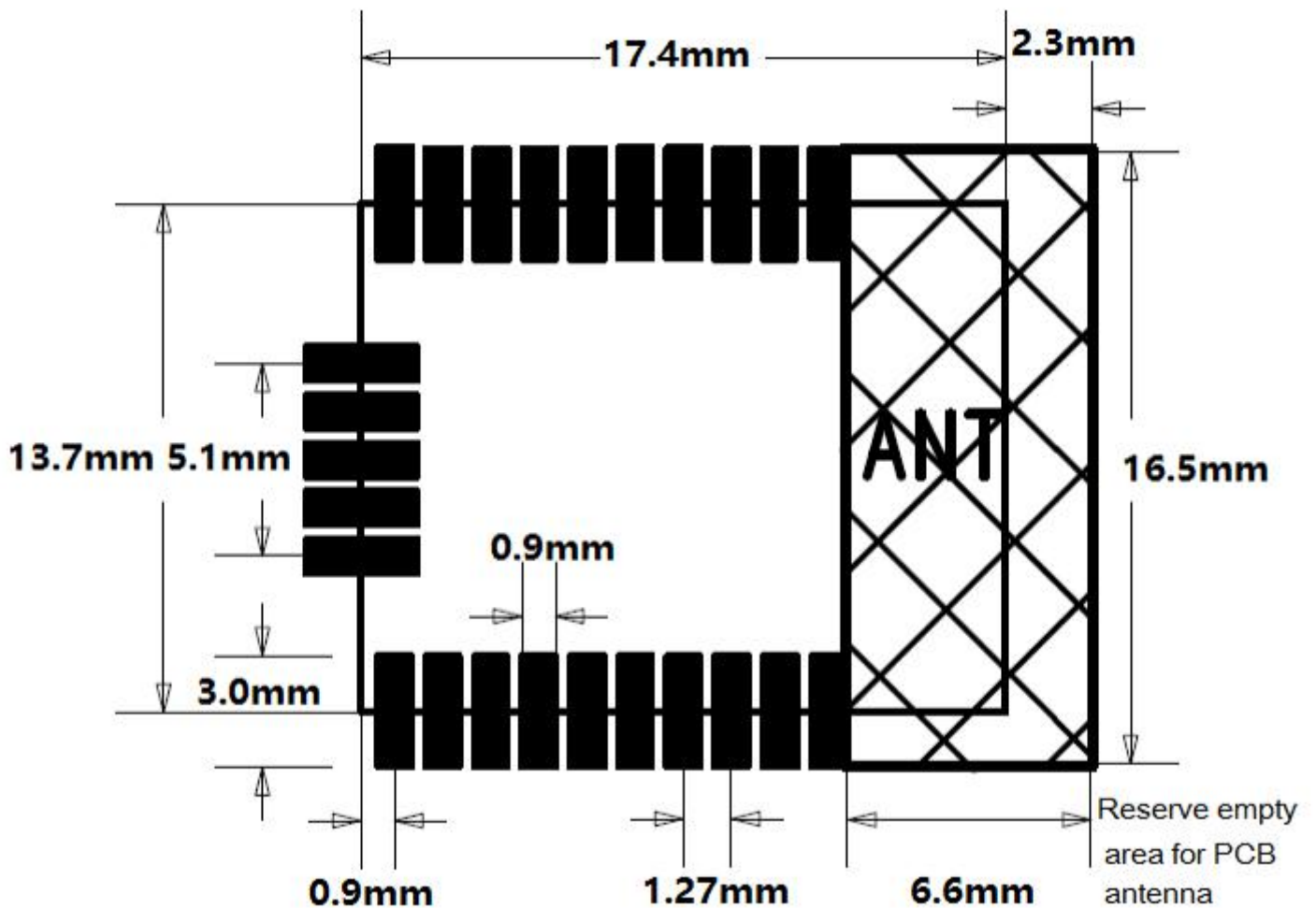


Figure 5: SKB369 Recommended PCB Footprint

10. Electrical Characteristics

Absolute Maximum Ratings

Parameter	Condition	Min.	Typ.	Max.	Unit
Storage Temperature Range		-40		125	°C
ESD Protection	VESD	/		4000	V
Supply Voltage	VCC	-0.3		3.9	V
Voltage On Any I/O Pin		-0.3		3.63	V

Table10-1: Absolute Maximum Ratings

Recommended Operation Ratings

Parameter	Symbol	Min.	Typ.	Max.	Unit
Extended Temp. Range	TA	-40	25	85	°C
Power Supply	VCC	1.7	3.3	3.6	V
Input Low Voltage	VIL	0		0.3*VCC	V
Input High Voltage	VIH	0.7*VCC		VCC	V

Table10-2: Operating Conditions

Current

System State	TX Peak @4dBm	RX Peak	Sleep Mode (avg)	Idle Mode (avg)
Current (peak)@3V	7.5 mA	5.4 mA	0.4uA	1.2uA

Table10-3: Power Consumption in Different States

11. Manufacturing Process Recommendations

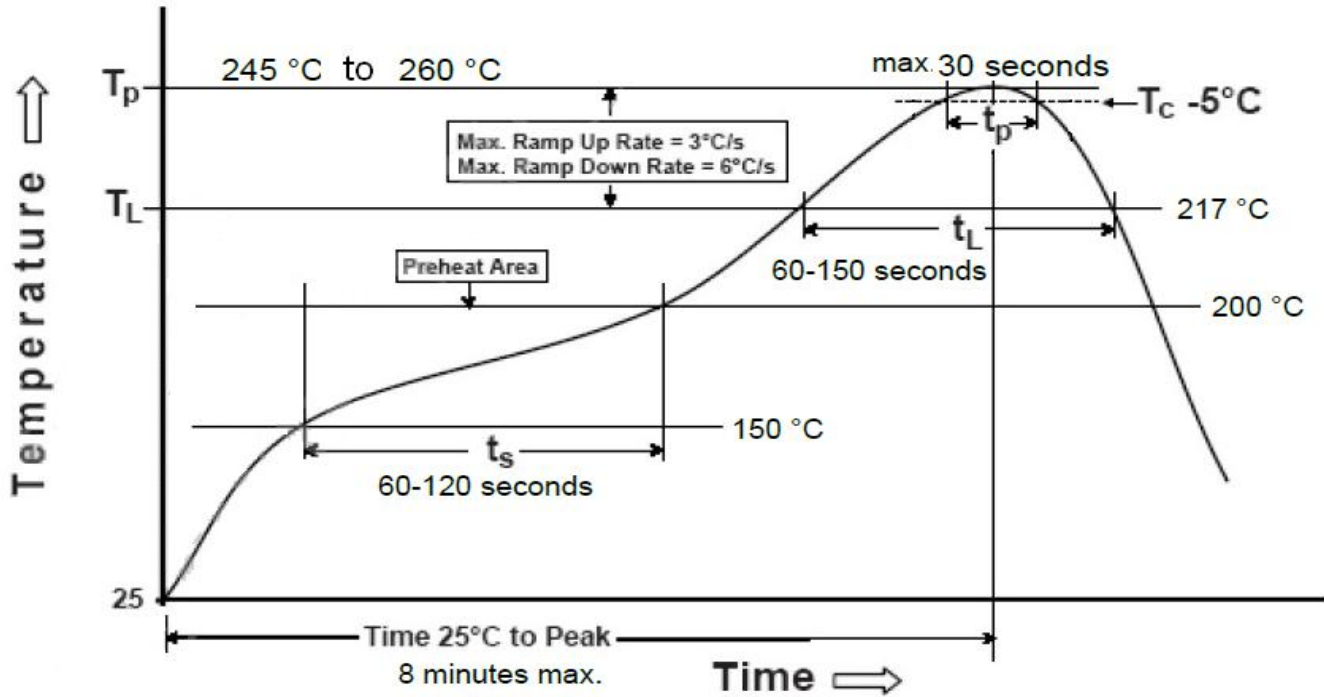


Figure 6: SKB369 Typical Lead-free Soldering Profile

Note: The final re-flow soldering temperature map chosen at the factory depends on additional external factors, for example, choice of soldering paste, size, thickness and properties of the module's baseboard etc. Exceeding the maximum soldering temperature in the recommended soldering profile may permanently damage the module.

12. Packaging Specification

SKB369 modules are put into tray and 528 units per tray. Each tray is 'dry' and vacuum packaging.

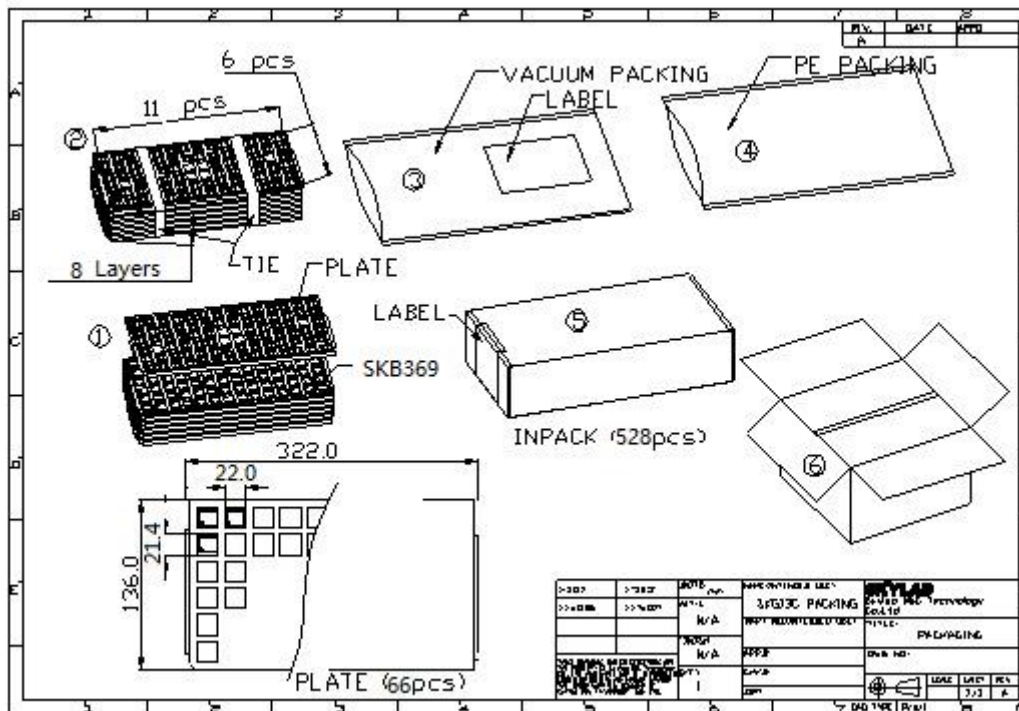


Figure 7: SKB369 Packaging

13. Ordering Information

Module No.	Crystal	Shielding	ANTenna	Temperature Grade
SKB369-CSPI	32.768K	Shielding	PCB	Industry
SKB369-XXPI	No	No	PCB	Industry

14. Contact Information

Skylab M&C Technology Co., Ltd.

深圳市天工测控技术有限公司

Address: 6 Floor, No.9 Building, Lijincheng Scientific & Technical park, Gongye East Road,

Longhua District, Shenzhen, Guangdong, China

Phone: 86-755 8340 8210 (Sales Support)

Phone: 86-755 8340 8510 (Technical Support)

Fax: 86-755-8340 8560

E-Mail: sales1@skylab.com.cn

Website: www.skylab.com.cn www.skylabmodule.com